



UNIVERSITY OF CAMBRIDGE INTERNATIONAL EXAMINATIONS  
International General Certificate of Secondary Education

---

**CHEMISTRY**

**0620/13**

Paper 1 Multiple Choice

**May/June 2013**

**45 Minutes**

Additional Materials:      Multiple Choice Answer Sheet  
   Soft clean eraser  
   Soft pencil (type B or HB is recommended)



---

**READ THESE INSTRUCTIONS FIRST**

Write in soft pencil.

Do not use staples, paper clips, highlighters, glue or correction fluid.

Write your name, Centre number and candidate number on the Answer Sheet in the spaces provided unless this has been done for you.

**DO NOT WRITE IN ANY BARCODES.**

There are **forty** questions on this paper. Answer **all** questions. For each question there are four possible answers **A, B, C** and **D**.

Choose the **one** you consider correct and record your choice in **soft pencil** on the separate Answer Sheet.

**Read the instructions on the Answer Sheet very carefully.**

Each correct answer will score one mark. A mark will not be deducted for a wrong answer.

Any rough working should be done in this booklet.

A copy of the Periodic Table is printed on page 16.

Electronic calculators may be used.

---

This document consists of **15** printed pages and **1** blank page.



1 The diagram shows a cup of tea.



Which row describes the water particles in the air above the cup compared with the water particles in the cup?

	moving faster	closer together
<b>A</b>	✓	✓
<b>B</b>	✓	x
<b>C</b>	x	✓
<b>D</b>	x	x

2 Crystals of sodium chloride were prepared by the following method.

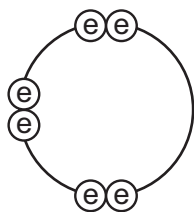
- 1 25.0 cm<sup>3</sup> of dilute hydrochloric acid was accurately measured into a conical flask.
- 2 Aqueous sodium hydroxide was added until the solution was neutral. The volume of sodium hydroxide added was measured.
- 3 The solution was evaporated and the crystals washed with approximately 15 cm<sup>3</sup> of water.

Which row shows the pieces of apparatus used to measure the 25.0 cm<sup>3</sup> of hydrochloric acid, the volume of aqueous sodium hydroxide and the 15 cm<sup>3</sup> of water?

	25.0 cm <sup>3</sup> of hydrochloric acid accurately	the volume of aqueous sodium hydroxide added	15 cm <sup>3</sup> of water approximately
<b>A</b>	burette	pipette	measuring cylinder
<b>B</b>	measuring cylinder	burette	pipette
<b>C</b>	pipette	burette	measuring cylinder
<b>D</b>	pipette	measuring cylinder	burette



- 6 Element X has six electrons in its outer shell.



key  
 ⊕ = electron

How could the element react?

- A** by gaining two electrons to form a positive ion  
**B** by losing six electrons to form a negative ion  
**C** by sharing two electrons with two electrons from another element to form two covalent bonds  
**D** by sharing two electrons with two electrons from another element to form four covalent bonds
- 7 For which substance is the type of bonding **not** correct?

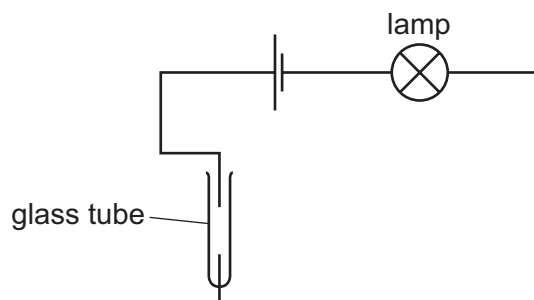
	substance	type of bonding		
		ionic	covalent	metallic
<b>A</b>	chlorine		✓	
<b>B</b>	potassium bromide	✓		
<b>C</b>	sodium			✓
<b>D</b>	sodium chloride		✓	

- 8 A compound with the formula  $\text{XF}_2$  has a relative formula mass of 78.

What is element X?

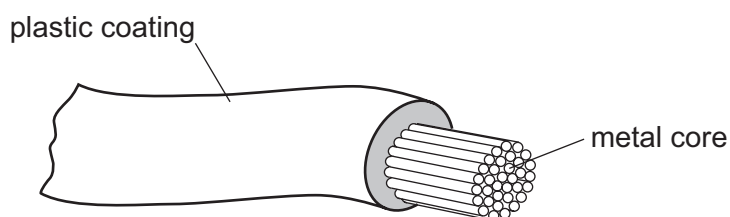
- A** argon  
**B** calcium  
**C** neon  
**D** zirconium

- 9 The diagram shows an incomplete circuit.



Which substance causes the lamp to light when added to the glass tube?

- A aqueous sodium chloride
  - B aqueous sugar
  - C solid sodium chloride
  - D solid sugar
- 10 The diagram shows an electrical cable.



Which statement about the substances used is correct?

- A The coating is plastic because it conducts electricity well.
  - B The core is copper because it conducts electricity well.
  - C The core is copper because it is cheap and strong.
  - D The core is iron because it is cheap and strong.
- 11 What is the balanced chemical equation for the reaction between calcium and water?
- A  $\text{Ca} + \text{H}_2\text{O} \rightarrow \text{CaOH} + \text{H}_2$
  - B  $\text{Ca} + \text{H}_2\text{O} \rightarrow \text{Ca}(\text{OH})_2 + \text{H}_2$
  - C  $\text{Ca} + 2\text{H}_2\text{O} \rightarrow \text{CaOH} + \text{H}_2$
  - D  $\text{Ca} + 2\text{H}_2\text{O} \rightarrow \text{Ca}(\text{OH})_2 + \text{H}_2$

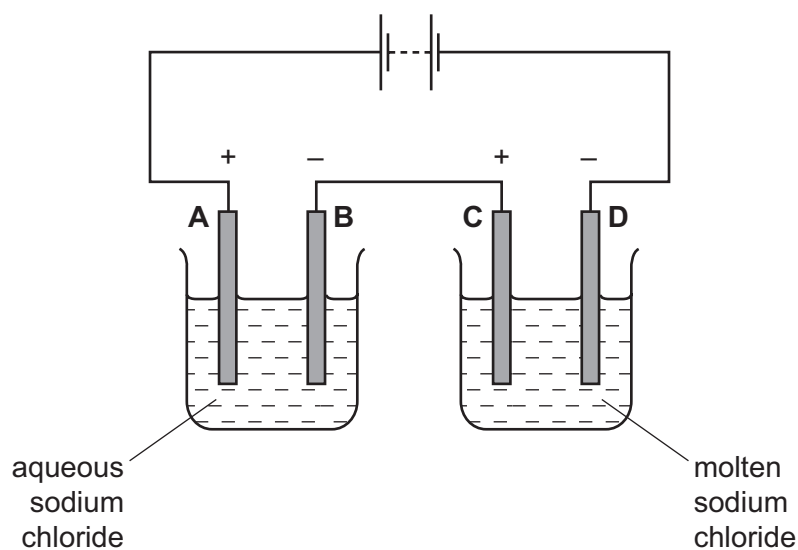
12 Some white anhydrous copper(II) sulfate powder is put into a beaker of water and stirred.

What would show that the process was exothermic?

- A A blue solution is formed.
- B The beaker feels cooler.
- C The beaker feels warmer.
- D The powder dissolves in the water.

13 The diagram shows an electrolysis circuit.

At which electrode is hydrogen formed?



14 Which substance does **not** require oxygen in order to produce energy?

- A coal
- B hydrogen
- C natural gas
- D  $^{235}\text{U}$

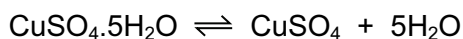
15 Calcium carbonate reacts with hydrochloric acid to form carbon dioxide.

Which changes would slow this reaction down?

- 1 decreasing the concentration of hydrochloric acid
- 2 decreasing the particle size of calcium carbonate
- 3 decreasing the temperature

- A 1 and 2 only
- B 1 and 3 only
- C 2 and 3 only
- D 1, 2 and 3

- 16 The equation shows the formation of anhydrous copper(II) sulfate from hydrated copper(II) sulfate.



Statements 1, 2 and 3 refer to this reaction.

- 1 Hydrated copper(II) sulfate is reduced to anhydrous copper(II) sulfate.
- 2 The (II) in the name copper(II) sulfate refers to the oxidation state of the metal.
- 3 The reaction is reversible.

Which statements are correct?

- A 1 only      B 1 and 2      C 2 and 3      D 3 only

- 17 Ant stings hurt because of the methanoic acid produced by the ant.

Which substance could, **most safely**, be used to neutralise the acid?

	substance	pH
A	baking soda	8
B	car battery acid	1
C	lemon juice	3
D	oven cleaner	14

- 18 In which equation is the underlined substance acting as a reducing agent?

- A 3CO + Fe<sub>2</sub>O<sub>3</sub> → 2Fe + 3CO<sub>2</sub>
- B CO<sub>2</sub> + C → 2CO
- C CuO + H<sub>2</sub> → Cu + H<sub>2</sub>O
- D CaO + H<sub>2</sub>O → Ca(OH)<sub>2</sub>

- 19 Two indicators, bromophenol blue and Congo red, show the following colours in acidic solutions and in alkaline solutions.

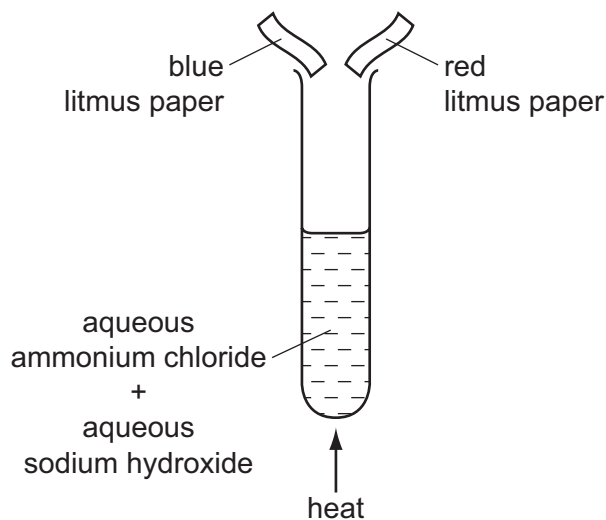
indicator	acid	alkali
bromophenol blue	yellow	blue
Congo red	violet	red

A few drops of each indicator are added to separate samples of a solution of pH 2.

What are the colours of the indicators in this solution?

	in a solution of pH 2	
	bromophenol blue is	Congo red is
<b>A</b>	blue	red
<b>B</b>	blue	violet
<b>C</b>	yellow	red
<b>D</b>	yellow	violet

- 20 The diagram shows an experiment.



What happens to the pieces of litmus paper?

	blue litmus paper	red litmus paper
<b>A</b>	changes colour	changes colour
<b>B</b>	changes colour	no colour change
<b>C</b>	no colour change	changes colour
<b>D</b>	no colour change	no colour change



21 The diagram shows one period of the Periodic Table.

Li	Be	B	C	N	O	F	Ne
----	----	---	---	---	---	---	----

Which two elements form acidic oxides?

- A carbon and lithium
- B carbon and neon
- C carbon and nitrogen
- D nitrogen and neon

22 Which element is a transition metal?

	colour of chloride	melting point of element / °C
A	white	113
B	white	1495
C	yellow	113
D	yellow	1495

23 Which property of elements increases across a period of the Periodic Table?

- A metallic character
- B number of electron shells
- C number of outer shell electrons
- D tendency to form positive ions

24 Which property makes aluminium ideal for making food containers?

- A conducts electricity
- B conducts heat
- C mechanical strength
- D resistance to corrosion

25 Fluorine is at the top of Group VII in the Periodic Table.

Which row shows the properties of fluorine?

	colour	state at room temperature	reaction with aqueous potassium iodide
<b>A</b>	brown	gas	no reaction
<b>B</b>	brown	liquid	iodine displaced
<b>C</b>	yellow	gas	iodine displaced
<b>D</b>	yellow	liquid	no reaction

26 Which element is a metal?

	charge on element ion	electrical conductivity
<b>A</b>	negative	low
<b>B</b>	positive	high
<b>C</b>	negative	high
<b>D</b>	positive	low

27 Group I metals are also known as the Alkali Metals.

Which statement about the metals in Group I is **not** correct?

- A** In their reactions they lose electrons.
- B** Their atoms all have one electron in their outer shell.
- C** They form +1 ions in their reactions with non-metals.
- D** They form covalent compounds by sharing electrons.

28 Below are some metals in decreasing order of reactivity.

magnesium

zinc

iron

copper

Titanium reacts with acid and cannot be extracted from its ore by heating with carbon.

Where should titanium be placed in this list?

- A below copper
- B between iron and copper
- C between magnesium and zinc
- D between zinc and iron

29 Which substance is **not** involved in the extraction of iron from hematite?

- A carbon
- B carbon monoxide
- C calcium carbonate
- D nitrogen

30 Pure metals conduct electricity and can be hammered into different shapes.

Why are metals sometimes used as alloys?

- A Alloys are cheaper than the metals they are made from.
- B Alloys are easier to hammer into different shapes.
- C Alloys are harder and keep their shape better.
- D Alloys conduct electricity better.

31 Water has been contaminated with sea-water.

Which substances can be removed by chlorination and filtration?

- A bacteria, sand and sodium chloride
- B bacteria and sand only
- C bacteria and sodium chloride only
- D sand and sodium chloride only

32 Which information about carbon dioxide and methane is correct?

		carbon dioxide	methane
<b>A</b>	formed when vegetation decomposes	✓	✗
<b>B</b>	greenhouse gas	✓	✓
<b>C</b>	present in unpolluted air	✗	✗
<b>D</b>	produced during respiration	✗	✓

key  
 ✓ = true  
 ✗ = false

33 Iron rusts when it reacts with .....1.....

Rusting can be prevented by covering the iron with a more reactive metal, such as .....2.....

Which words correctly complete gaps 1 and 2?

	1	2
<b>A</b>	oxygen	copper
<b>B</b>	oxygen	magnesium
<b>C</b>	oxygen and water	copper
<b>D</b>	oxygen and water	magnesium

34 Nitrogen, phosphorus and potassium are essential elements for plant growth.

Which mixture provides all three essential elements?

	mixture	formula
<b>A</b>	ammonium phosphate + potassium chloride	$(\text{NH}_4)_3\text{PO}_4$ + $\text{KCl}$
<b>B</b>	ammonium phosphate + ammonium nitrate	$(\text{NH}_4)_3\text{PO}_4$ + $\text{NH}_4\text{NO}_3$
<b>C</b>	ammonium phosphate + ammonium chloride	$(\text{NH}_4)_3\text{PO}_4$ + $\text{NH}_4\text{Cl}$
<b>D</b>	ammonium nitrate + potassium chloride	$\text{NH}_4\text{NO}_3$ + $\text{KCl}$

35 Organic compounds may have names ending in -ane, -ene, -ol or -oic acid.

How many of these endings indicate the compounds contain double bonds in their molecules?

- A 1                      B 2                      C 3                      D 4

36 The list shows four methods that were suggested for the formation of carbon dioxide.

- 1 action of an alkali on a carbonate
- 2 action of heat on a carbonate
- 3 complete combustion of methane
- 4 reaction of a carbonate with oxygen

Which methods would result in the production of carbon dioxide?

- A 1 and 2              B 1 and 4              C 2 and 3              D 3 and 4

37 The table shows the boiling points of four members of the homologous series of alcohols.

compound		boiling point /°C
name	formula	
methanol	CH <sub>3</sub> OH	65
ethanol	C <sub>2</sub> H <sub>5</sub> OH	78
propanol	C <sub>3</sub> H <sub>7</sub> OH	X
butanol	C <sub>4</sub> H <sub>9</sub> OH	117

What is the value of X?

- A 55°C              B 82°C              C 98°C              D 115°C

38 Which columns describe the hydrocarbons ethane and ethene?

	1	2	3	4
state at room temperature	gas	gas	liquid	liquid
reaction with oxygen	burns	burns	burns	burns
reaction with aqueous bromine	no reaction	decolourises bromine	no reaction	decolourises bromine

- A 1 (ethane) and 2 (ethene)  
 B 1 (ethane) and 4 (ethene)  
 C 2 (ethene) and 3 (ethane)  
 D 3 (ethane) and 4 (ethene)

- 39 The table shows some fractions that are obtained from petroleum by fractional distillation, together with some of their uses.

fraction	use
refinery gas	cooking
gasoline	fuel for cars
1	making chemicals
2	jet fuel
3	fuel for ships
bitumen	making roads

Which row correctly identifies fractions 1, 2 and 3?

	1	2	3
<b>A</b>	diesel oil	fuel oil	lubricating fraction
<b>B</b>	fuel oil	diesel oil	kerosene
<b>C</b>	kerosene	naphtha	diesel oil
<b>D</b>	naphtha	kerosene	fuel oil

- 40 Which of the statements about ethanol are correct?

- 1 Ethanol can be formed by an addition reaction.
- 2 Ethanol can be formed by fermentation.
- 3 When ethanol burns in air, it forms carbon dioxide and water.

- A** 1, 2 and 3      **B** 1 and 2      **C** 1 and 3      **D** 2 and 3



**DATA SHEET**  
**The Periodic Table of the Elements**

		Group																	
		I	II	III	IV	V	VI	VII	VIII	IX	X	0							
		1 <b>H</b> Hydrogen 1																	
7	9	<b>Li</b> Lithium 3	<b>Be</b> Beryllium 4																
23	24	<b>Na</b> Sodium 11	<b>Mg</b> Magnesium 12																
39	40	<b>K</b> Potassium 19	<b>Ca</b> Calcium 20	45	48	51	52	55	56	59	59	64	65	70	73	75	79	80	84
85	88	<b>Rb</b> Rubidium 37	<b>Sr</b> Strontium 38	<b>Y</b> Yttrium 39	<b>Zr</b> Zirconium 40	<b>Nb</b> Niobium 41	<b>Mo</b> Molybdenum 42	<b>Tc</b> Technetium 43	<b>Ru</b> Ruthenium 44	<b>Rh</b> Rhodium 45	<b>Pd</b> Palladium 46	<b>Ag</b> Silver 47	<b>Cd</b> Cadmium 48	<b>In</b> Indium 49	<b>Sn</b> Tin 50	<b>Sb</b> Antimony 51	<b>Te</b> Tellurium 52	<b>I</b> Iodine 53	<b>Xe</b> Xenon 54
133	137	<b>Cs</b> Caesium 55	<b>Ba</b> Barium 56	<b>La</b> Lanthanum 57	<b>Hf</b> Hafnium 72	<b>Ta</b> Tantalum 73	<b>W</b> Tungsten 74	<b>Re</b> Rhenium 75	<b>Os</b> Osmium 76	<b>Ir</b> Iridium 77	<b>Pt</b> Platinum 78	<b>Au</b> Gold 79	<b>Hg</b> Mercury 80	<b>Tl</b> Thallium 81	<b>Pb</b> Lead 82	<b>Bi</b> Bismuth 83	<b>Po</b> Polonium 84	<b>At</b> Astatine 85	<b>Rn</b> Radon 86
	226	<b>Fr</b> Francium 87	<b>Ra</b> Radium 88	<b>Ac</b> Actinium 89															
													*58-71 Lanthanoid series †90-103 Actinoid series						
		a		X		b		a = relative atomic mass X = atomic symbol b = proton (atomic) number					Key						
		140	141	144	150	152	157	159	162	165	167	169	173	175					
		<b>Ce</b> Cerium 58	<b>Pr</b> Praseodymium 59	<b>Nd</b> Neodymium 60	<b>Pm</b> Promethium 61	<b>Sm</b> Samarium 62	<b>Gd</b> Gadolinium 64	<b>Tb</b> Terbium 65	<b>Dy</b> Dysprosium 66	<b>Ho</b> Holmium 67	<b>Er</b> Erbium 68	<b>Tm</b> Thulium 69	<b>Yb</b> Ytterbium 70	<b>Lu</b> Lutetium 71					
		232	238	238	238	238	238	238	238	238	238	238	238	238					
		<b>Th</b> Thorium 90	<b>Pa</b> Protactinium 91	<b>U</b> Uranium 92	<b>Np</b> Neptunium 93	<b>Pu</b> Plutonium 94	<b>Am</b> Americium 95	<b>Cm</b> Curium 96	<b>Bk</b> Berkelium 97	<b>Cf</b> Californium 98	<b>Es</b> Einsteinium 99	<b>Fm</b> Fermium 100	<b>Md</b> Mendelevium 101	<b>No</b> Nobelium 102	<b>Lr</b> Lawrencium 103				

The volume of one mole of any gas is 24 dm<sup>3</sup> at room temperature and pressure (r.t.p.).

Permission to reproduce items where third-party owned material protected by copyright is included has been sought and cleared where possible. Every reasonable effort has been made by the publisher (UCLES) to trace copyright holders, but if any items requiring clearance have unwittingly been included, the publisher will be pleased to make amends at the earliest possible opportunity.

University of Cambridge International Examinations is part of the Cambridge Assessment Group. Cambridge Assessment is the brand name of University of Cambridge Local Examinations Syndicate (UCLES), which is itself a department of the University of Cambridge.